

Technical Data Sheet

Triple Workstations



QUALITY STANDARDS

Finsa top surface.

- ISO 22196 Standard: 2011. (Certificate of Analysis No. 1023308.1E-1).
- ISO 21702 standard: 2019 and the NF EN 14476 standard: 2013 + A2: 2019.

Metal.

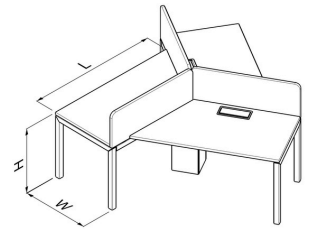
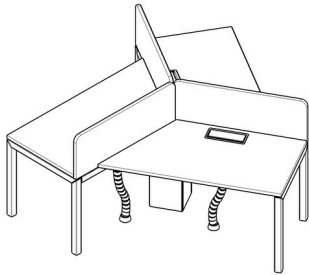
- Material: DD14 (EN 10111)
- ISO 45001:2018 – Occupational Health & Safety System. (Certificate No. 20001230009449).

WARRANTY

- 5 years

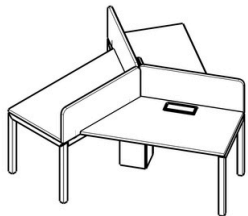
Triple Workstations

H 740

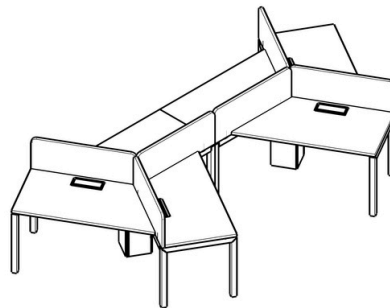


L 1400
W 700

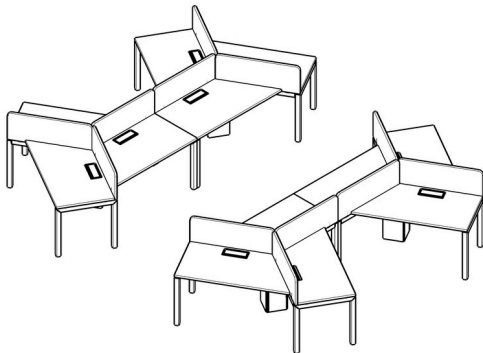
RECOMMENDED COMPOSITIONS



3 Pax

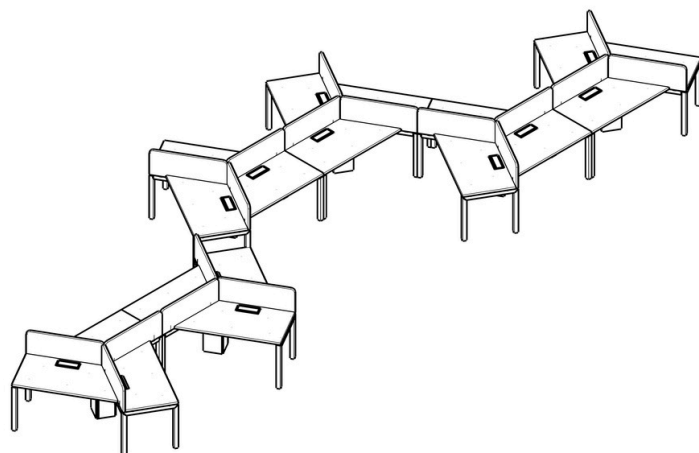


6 Pax



12 Pax

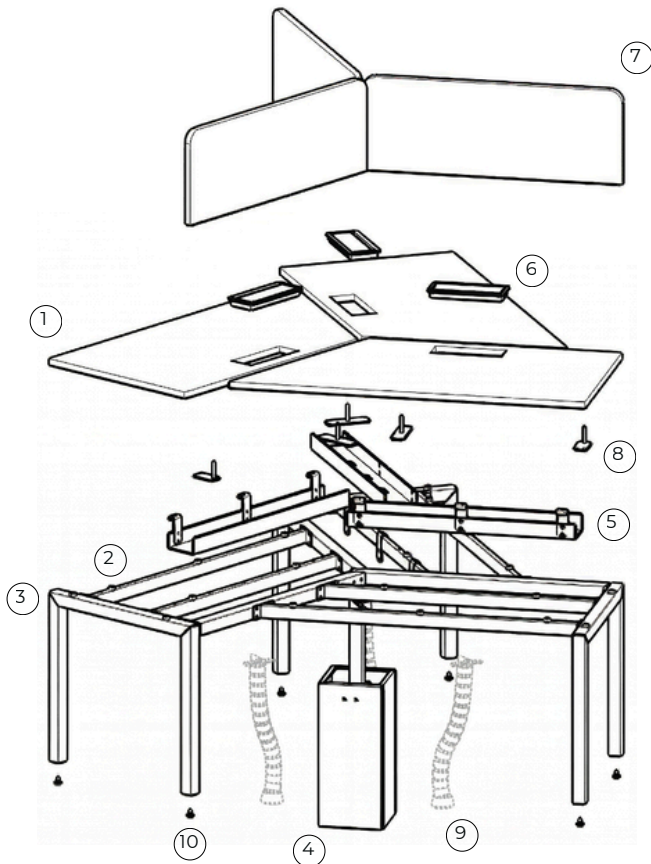
Triple Workstations can be arranged in different hive clusters layouts.



18 Pax

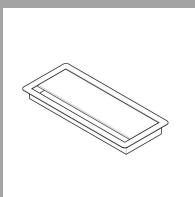
No. of Pax can be customized based on available space and preferred layout.

TRIPLE WORKSTATION COMPONENTS

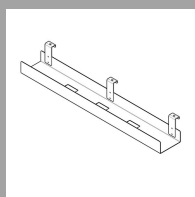


- ① Finsa Top thickness 25 mm.
- ② Top spacer 10mm.
- ③ Powder-coated metal leg.
- ④ Middle leg with cable management.*
- ⑤ Cable tray.
- ⑥ Soft close cable grommet.
- ⑦ Acoustic fabric screen.
- ⑧ Screen brackets.
- ⑨ Vertebrae cable management.*
- ⑩ Glide 10mm (+10mm adjustable).

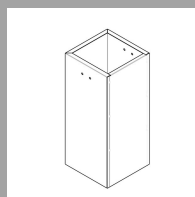
Triple Workstation Includes



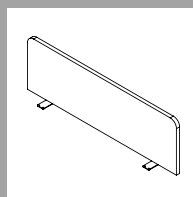
Soft-close cable grommet:
300 × 110 mm



Cable tray:
900 × 130 mm



Cable management tower:
• 250 × 250 mm,
H: 570 mm
*NB: Choose from vertebrae or tower.



3X Front screen:
• Acoustic Honeycomb.
• Privacy screen.



Vertebrae cable management.
*NB: Choose from vertebrae or tower.

FEATURES

- Anti-bacterial surface properties supporting hygienic daily use in workspace environments.
- Anti-moisture sealed finish allowing safe cleaning and regular disinfection without surface damage.
- Anti-fingerprint surface and high scratch resistance ($\geq 6\text{NW}$ – EN 438-2 standard)
- Easy to assemble and disassemble - "metal to metal" construction Just one tool for assembling .
- Two color combination for desks.
- Cable management.
- Acoustic screens.

TECHNICAL INFORMATION

Desktop

- 25 mm MFC (melamine) with 2 mm ABS edging.
- 10mm spacers between desktop and base.
- 30mm gap between back to back desktops.

Metal Beams

- Metal beam - 50x20 mm.
- Powder-coated steel with welded metal plates for leg attachment
- Color-matched with leg finish.

Cable Tray

- Sheet metal 1.25 mm.
- Attachment brackets 3mm - attached to beams.

Legs

- U-LEG: 50x50 mm, t:1.5 mm*
- Powder-coated.
- Plastic levelling glides (+10 mm).

Acoustic Screen

- MDF / 10mm Sponge / Honeycomb.

DESKTOP FINISHES



NB: Reference to sample for texture.

RECOMMENDED SCREEN FABRICS



and more than 30+ different fabric or leather colors to choose from

METAL FINISHES



CABLE GROMMET

