

Technical Data Sheet

Modular Lounges

FORM, FUNCTION, FLOW

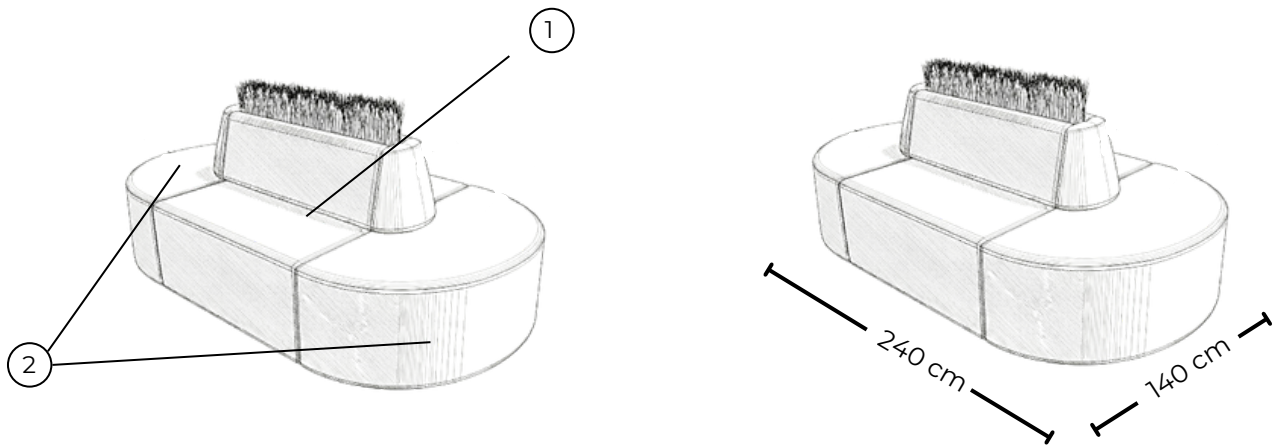
Our modular **Agora** sofa is built for seamless flow, effortless style, and spontaneous catch-ups, because comfort works as hard as it looks.

Agora



LEARN MORE ABOUT THE **AGORA** SOFA

- **Internal Construction:** Built with a complex internal framework utilizing both 18mm and 3mm plywood.
- **Padding & Cushioning:** Features a highly varied, multi-layered system designed to create a structured yet comfortable form.
- Incorporates four different thicknesses of sponge (10cm, 5cm, 2cm, and 1cm).
- Includes two additional fiber layers (3cm and 6mm).



1. Center Piece: W120*D60cm
2. Corner Piece: W140*D60cm

RECOMMENDED FABRIC & LEATHER FINISHES



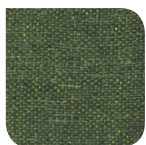
Leather Ink



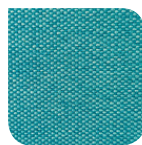
Leather Light Grey



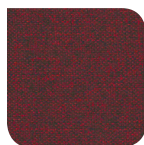
Leather Beige



Grass Green



Turquoise



Burgundy

And more than 30+ different fabric or leather colors to choose from



Design your own **Flow**

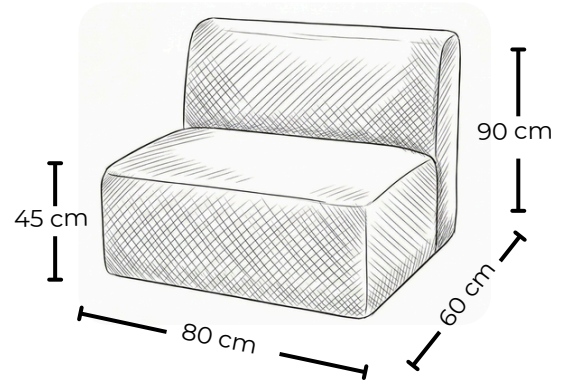
U.noia's modular **Lego** sofa combines flexibility with functionality, allowing you to shape and adapt spaces to meet your needs whether for collaboration, informal meetings, or focused work

Lego

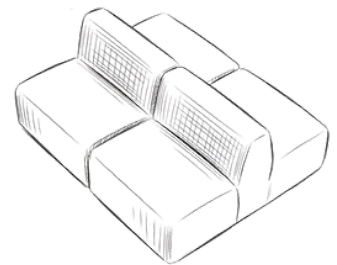
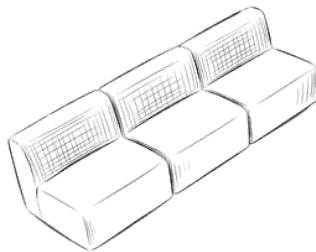
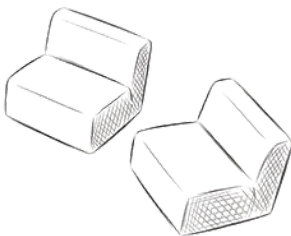


LEARN MORE ABOUT THE **LEGO** SOFA

- **Core Structure:** Sturdy internal core constructed from 18mm and 3mm plywood.
- **Cushioning & Support:** Multi-layered padding system designed to provide substantial support
- A deep 15cm sponge base layer.
- Intermediate 5cm and 2cm sponge layers.



ENDLESS POSSIBILITIES!



- **Standalone Functionality:** Each module can be easily detached and utilized as an independent single seat.
- **One-Sided Flow:** Create clean, linear arrangements to define walkways and perimeters.
- **Back-to-Back Islands:** Build central hubs that maximize seating in open spaces.

RECOMMENDED FABRIC & LEATHER FINISHES



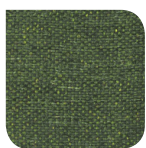
Leather Ink



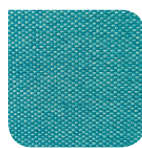
Leather Light Grey



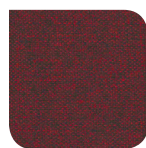
Leather Beige



Grass Green



Turquoise



Burgundy

And more than 30+ different fabric or leather colors to choose from



shape Your Space **Freely**

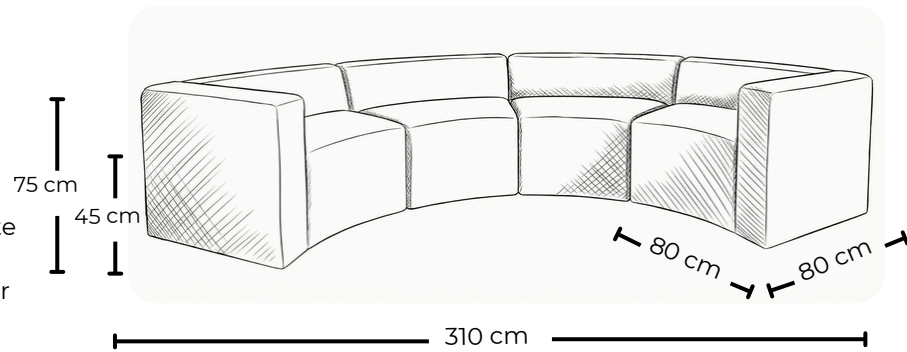
Our modular **Arc** sofa is meticulously engineered for seamless flow and effortless style, proving that high-end aesthetics don't have to sacrifice utility. It's a piece designed to anchor a room while remaining fluid enough to adapt to the rhythm of modern life. From focused morning coffee sessions to spontaneous late-night catch-ups, the Arc's intuitive silhouette ensures that comfort works just as hard as it looks

Arc

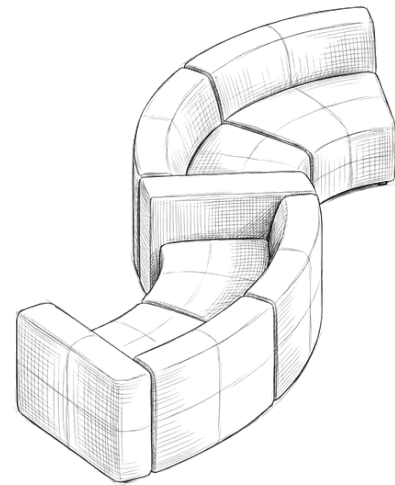
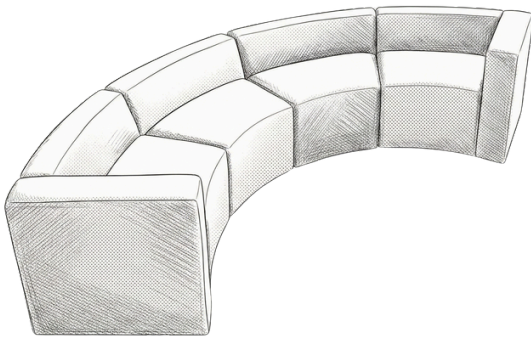


LEARN MORE ABOUT THE **ARC** SOFA

- **Frame Structure:** Constructed from 18mm and 3mm plywood, reinforced with elastic webbing support.
- **Seat Cushioning:** Multi-layered sponge system featuring a thick 15cm base layer, supplemented by 5cm and 2cm intermediate layers.
- **Exterior Finish:** Wrapped in a 3cm fiber layer for enhanced softness and final structure.



ADAPT TO ANY SPACE



- **Sweeping Arc Arrangement:** An inward-facing curve that draws people together, creating a bold, collaborative centerpiece for modern spaces.

- **Dynamic S-Shape Configuration:** Maximize your space. This undulating, dual-sided layout guides foot traffic and defines functional zones for both collaboration and focus, no partitions required.

RECOMMENDED FABRIC & LEATHER FINISHES



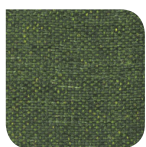
Leather Ink



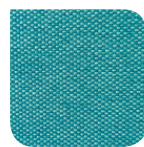
Leather Light Grey



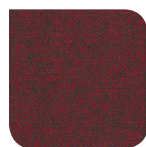
Leather Beige



Grass Green



Turquoise



Burgundy

And more than 30+ different fabric or leather colors to choose from



WARRANTY AND SAFETY

- 5-Year Manufacturing Warranty.
- The warranty does not apply to components, external accessories, or materials supplied by the buyer and applied to the products for the purpose of customizing them.
- The company shall not be held liable if the product is used improperly (standing on it or using it as a ladder or swinging it in a way that could compromise its functioning and the user's safety).
- To lift or move the product, grasp it firmly by the supporting structure. The product must not be subjected to off-center loads: it is designed to be used under normal conditions, resting on its four legs or base.